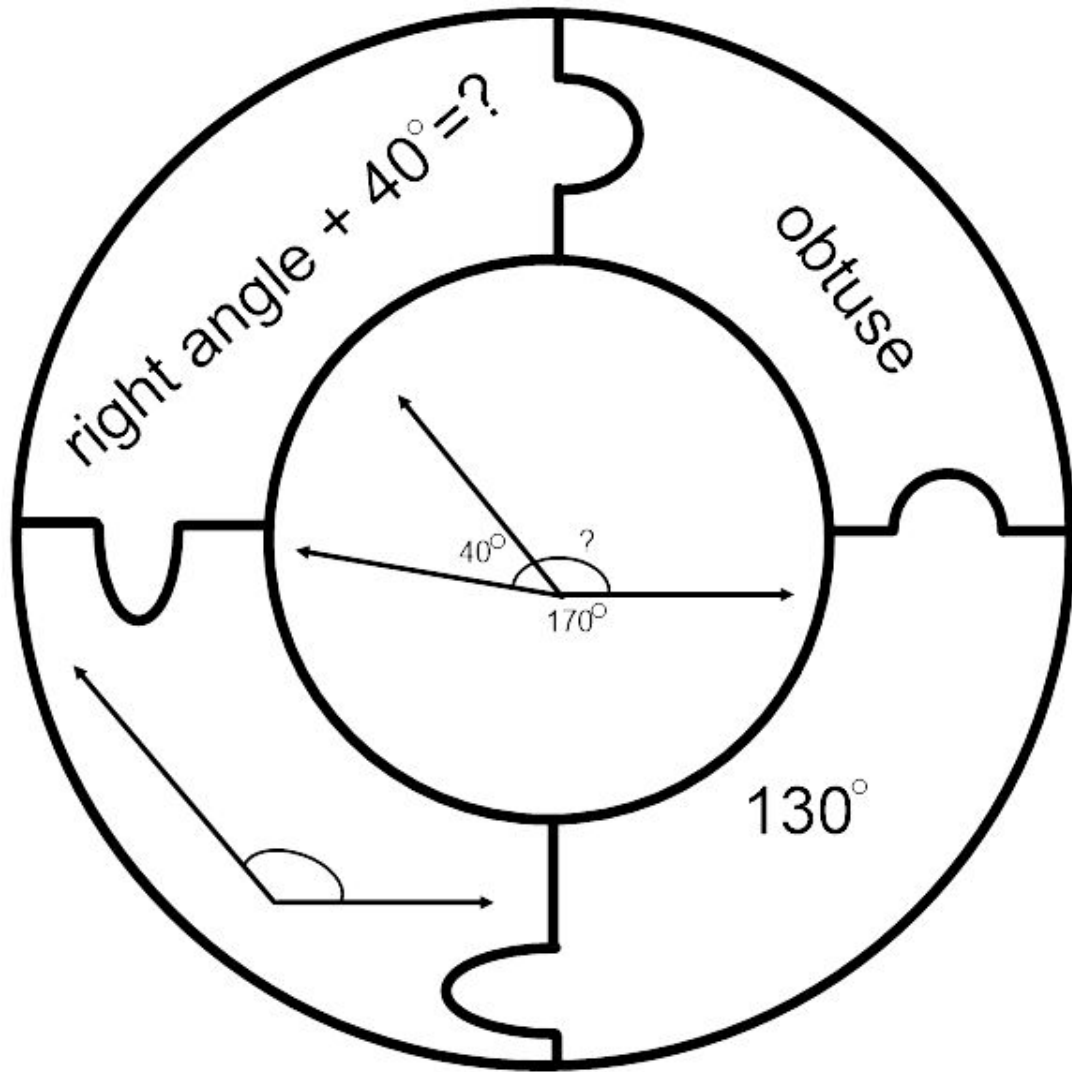
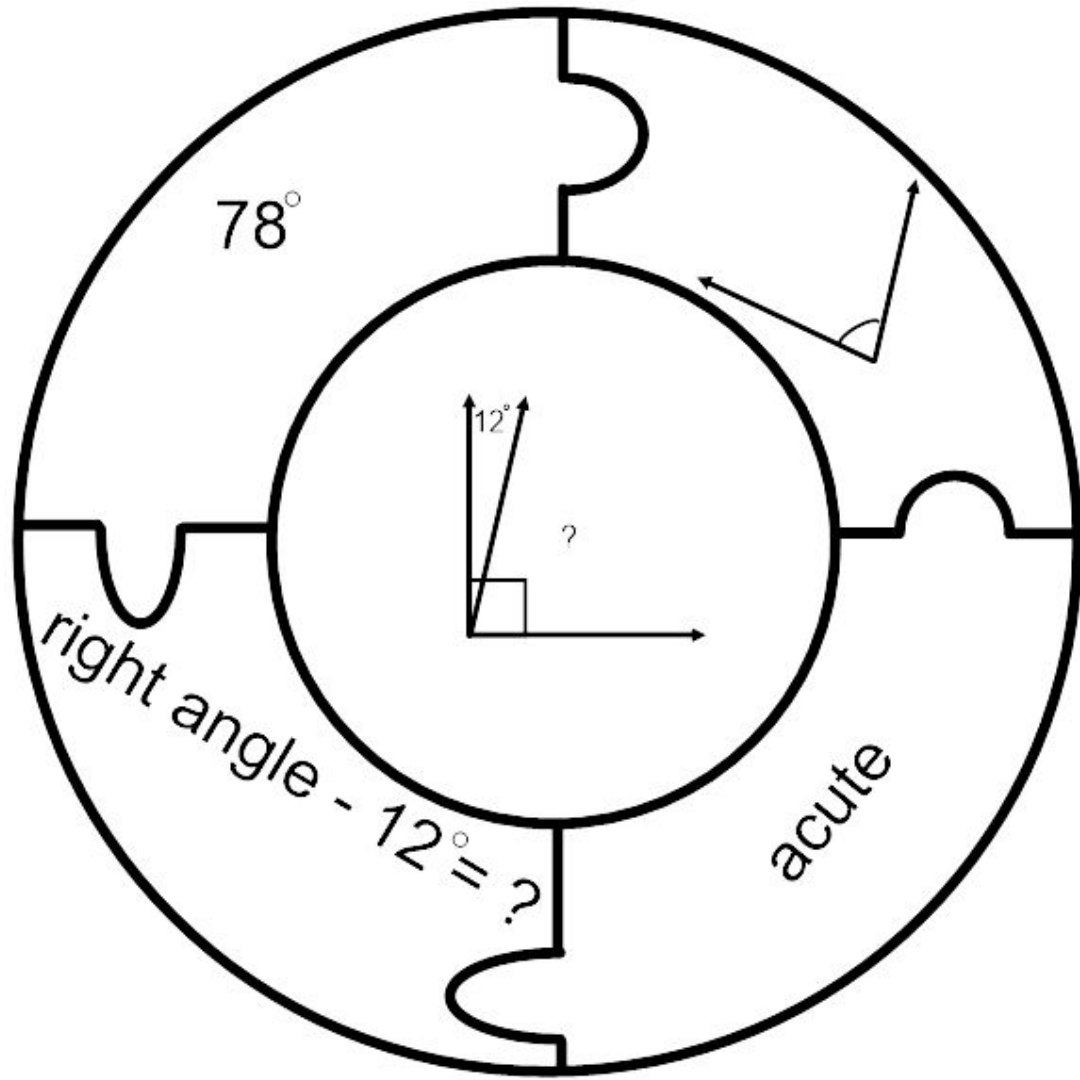


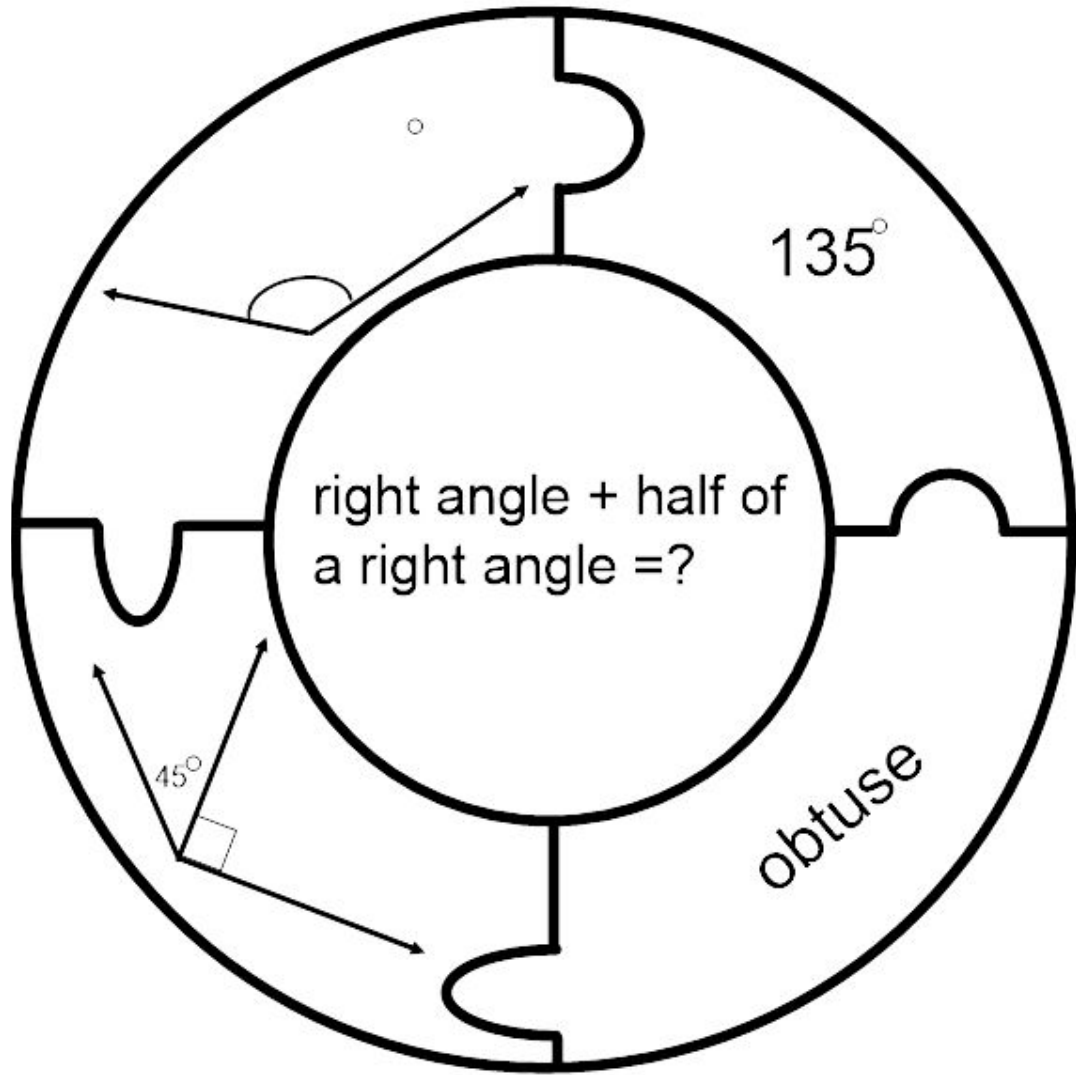


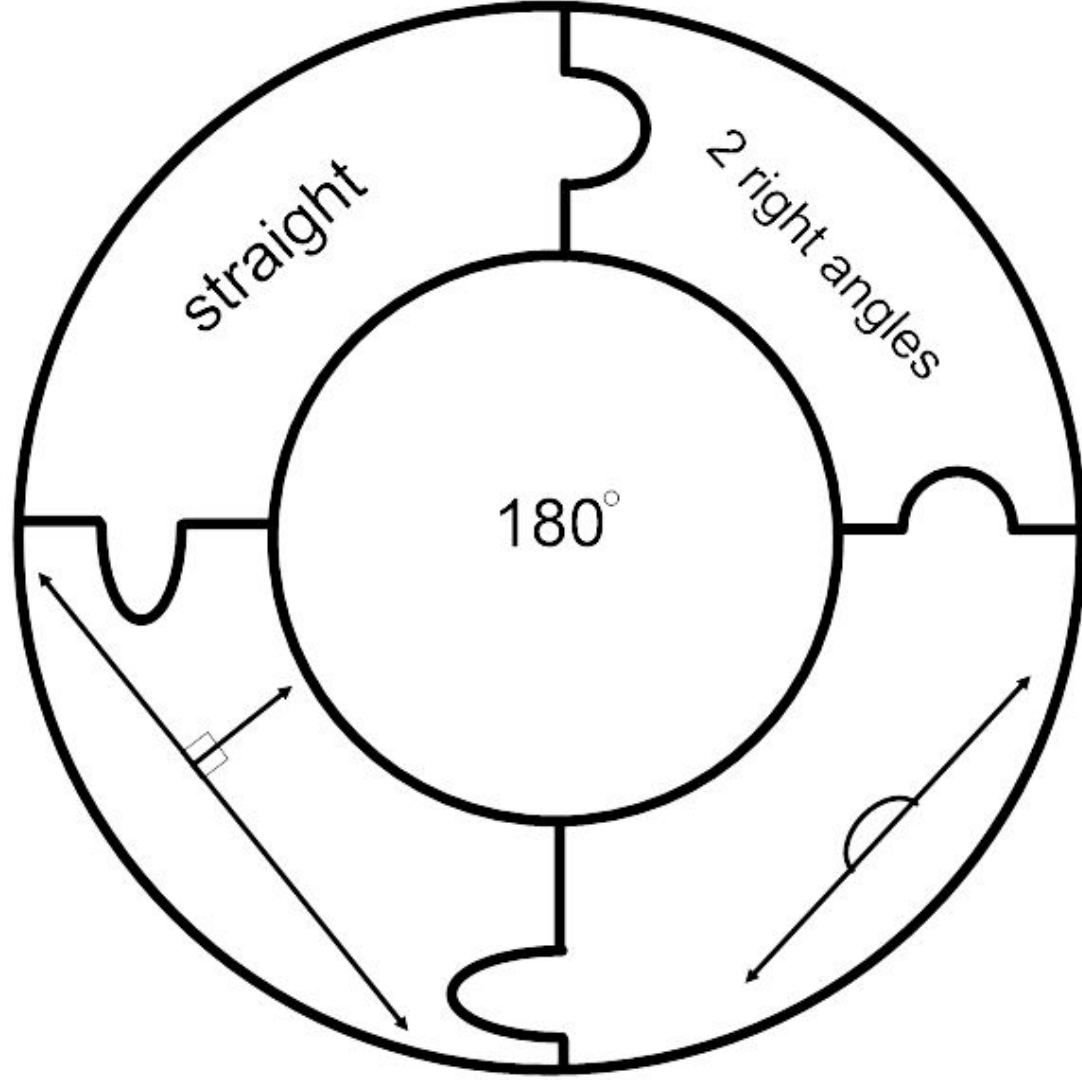
# Angle Puzzles

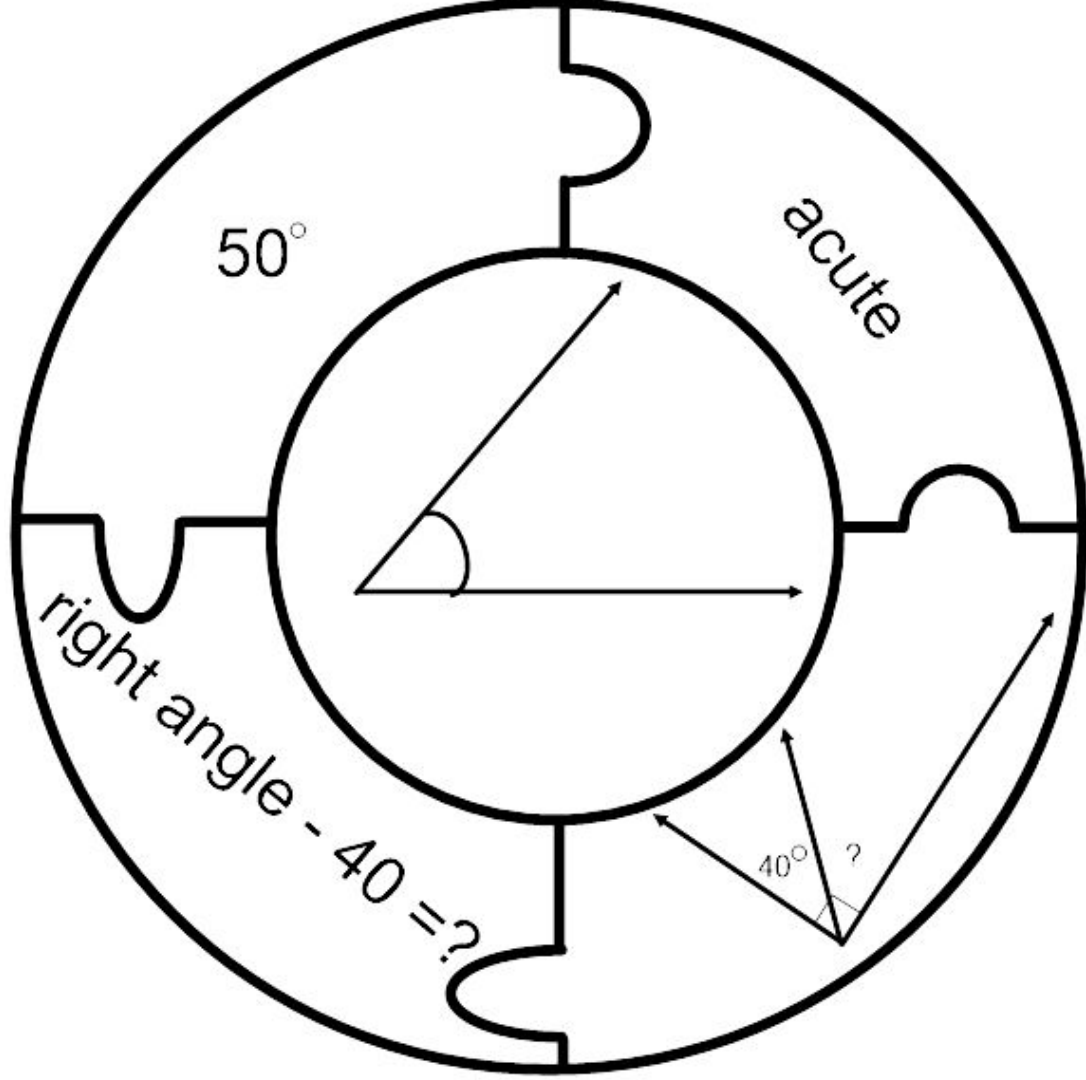
Emily Kappel

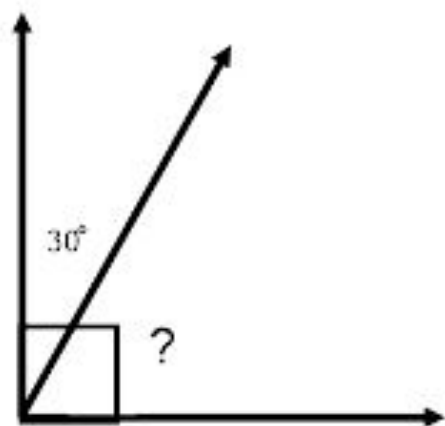






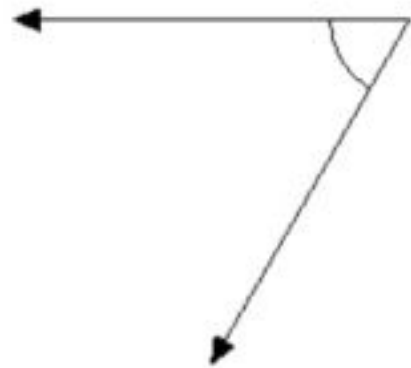






60 degrees

acute angle





A diagram showing a thick, wavy black line on a white background, enclosed in a black rectangular border. The line has several undulating peaks and valleys. Two specific angles are highlighted with arrows and arcs. On the left, a horizontal arrow points left and another points up and to the right, with an arc between them labeled  $120^\circ$ . On the right, a horizontal arrow points left and another points up and to the left, with an arc between them labeled  $60^\circ$ . The text 'obtuse angle' is written below the  $60^\circ$  angle.

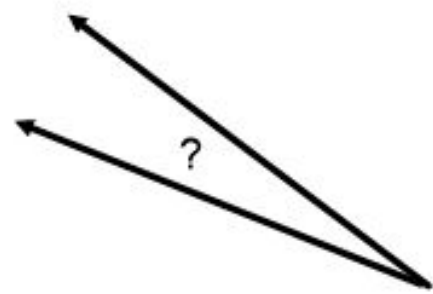
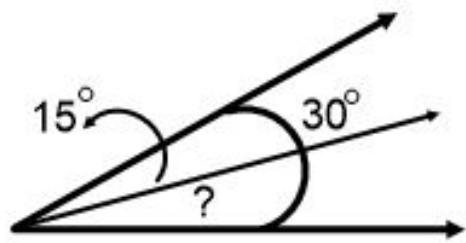
$120^\circ$

obtuse angle



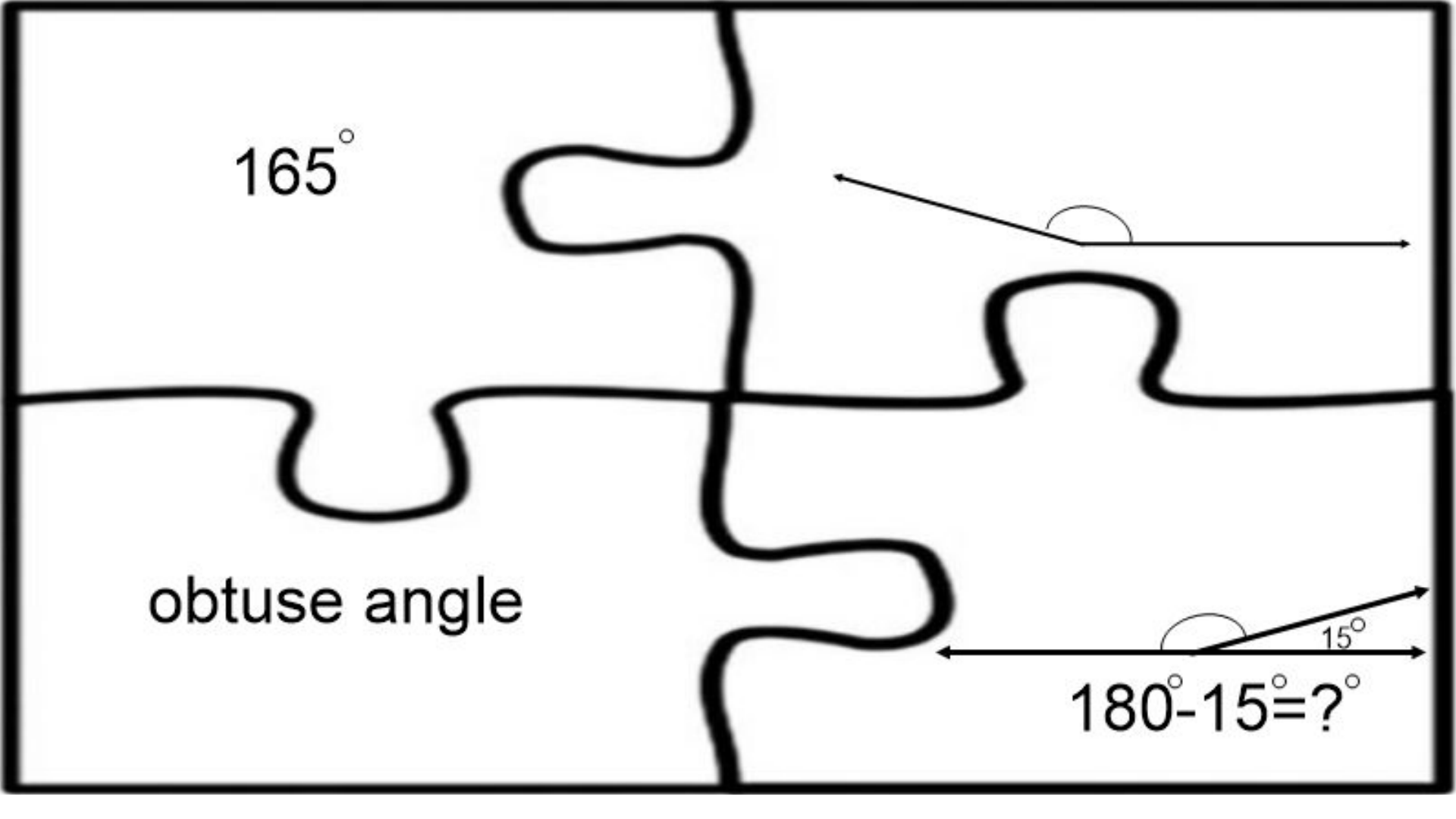
acute angle

$15^\circ$



$165^\circ$

obtuse angle



$180^\circ - 15^\circ = ?^\circ$

$90^\circ$

right angle

